



Effortless fingertip controls



Easy service access



FeatherTouch electric steering

Frame and body

- **Low centre of gravity** contributes to EDiA's outstanding residual capacity and driver confidence.

Mast and fork assembly

- **Exceptional visibility** through a wide range of high-strength, clear-view masts allows handling with total confidence.

Drive

- **Optional Pitching Control System (PCS)** senses travel on bumpy ground – automatically smoothing motion to stabilise load pitching: reducing the risk of the load becoming unstable.
- **Efficient drive (and lift) motors** combine with strong regenerative braking and advanced electric steering technology to minimise energy consumption and extend shifts.

Steering system

- **Controlled Cornering System (CCS)** assists safe turning by intuitively reducing the maximum travel speed in proportion to the steering angle.
- **FeatherTouch steering** delivers a natural steering response and – with just six turns lock-to-lock – gives precise, effortless control in intensive applications.

Brakes

- **Wet disc brakes** are virtually maintenance-free and sealed to tough IP54 standards, to protect EDiA in wet or dirty workplaces – and ensure it's a clean worker in food applications.

- **Electronically activated parking brake** is automatically applied whenever the operator leaves the seat and can also be activated by simply pressing a button.

- **Automatic hill hold** applies braking when the accelerator is released on a gradient, preventing accidental roll-back.

Hydraulics

- **Variable speed on all hydraulic functions** is smoothly and intuitively managed by EDiA's command software.
- **Mitsubishi 11.5kW hydraulic motor** proven to withstand intensive duty in the most demanding of applications, delivers exceptionally long service life.

Electrical and control systems

- **Five performance pre-sets** from minimal energy to high performance – are quickly chosen by the driver by push button.
- **Full programmability** through a laptop connection allow service engineers to precisely adjust EDiA to meet an application's exact needs, as well as run diagnostic checks.
- **Integrated Presence System 2 (IPS²)** pioneered by Mitsubishi prevents all movement of truck and mast if the operator is not seated.
- **Wider choice of batteries** available because of the wide range of options with its standard DIN dimensions EDiA is more easily configured to the user's precise needs.

- **Sideways battery exchange option** has slide-out rollers integrated into the chassis for quick and easy battery change in multi-shift operations.

- **Optional LED work lights front and rear** provide a natural bright white light with low energy consumption and long service life.

Other features

- **Long service interval** thanks to EDiA's design and build quality means fewer service visits are needed.
- **Waterproof** to tough IPX4 standards throughout the chassis and to stringent IP54 specifications on motors, brakes and other vital enclosures, EDiA protects itself – while keeping its workplace clean.
- **RapidAccess features** include a quick-release floor plate and wide-opening battery cover, for fast and simple checks.

Options include

- **Load weight indicator**
- **Integrated side shift**
- **Wide range of masts up to 7m**
- **Wide range of cabins**
- **Wide range of attachments**
- **Choice of seats**
- **Choice of fingertip or lever control**
- **Wide range of accessories**
- **Foot direction control**
- **Dual pedal system**
- **Cold store modification (to -35°C)**
- **LED work lights**

When reliability is everything...

Like any product bearing the Mitsubishi name, our materials handling equipment benefits from the huge resources and cutting-edge technology of one of the world's largest corporations. So when we promise you **quality, reliability** and **value for money**, you know it's a guarantee we have the power to deliver.

Every model in our comprehensive, award-winning range of forklift trucks and warehouse equipment is built to a high specification and is designed to keep on working for you... day after day... year after year... whatever the job... whatever the conditions.

To ensure your truck stays in constant productive action, we have a network of local dealers – hand-picked for their commitment to customer care... and backed up by the Mitsubishi Forklift Trucks organisation. No matter where you are, we have a dealer close by – ready and willing to meet your needs.

That friendly local service covers everything from identifying the perfect model and configuration for your application to providing competitive, flexible finance and maintenance packages, unbeatable warranties, long and short term hire, and highly responsive field service and repairs... as well as the industry's quickest and most reliable parts supply.

Only Mitsubishi can give you this combination of global engineering excellence and outstanding local support... only Mitsubishi offers you such a quality product at such an affordable price... and only Mitsubishi places reliability as high as you do in its priorities. Contact your local dealer now and see what Mitsubishi can do for you.

You can find your nearest dealer at www.mitforklift.com



EDiA EM

Electric Counterbalance • 3 & 4 Wheel Solid Pneumatic Tyres
48 Volt • 1.3 – 2.0 tonnes

Intuitive performance... that defines driveability

Independent tests over 25 years show that 'driveability' is the single most important factor that improves forklift productivity. When that's achieved, the operator is at one with the machine – without thinking. No surprises. Totally in control.

Mitsubishi EDiA EM is renowned for its driveability. Our designers ensure that everything feels intuitive and natural – and that distractions are eliminated.

What's more, it delivers top performance in its class, is built tough, superbly agile and boasts many industry-leading features. Its rugged four-wheel range is partnered with seven three-wheel models which are exceptionally agile in narrow aisles.

Operator compartment and controls

- **ErgoCentric cab design** delivers a spacious, practical cab that's easy to enter, keeps everything in easy reach, offers exceptional all-round visibility and is comfortable throughout the longest shifts.
- **FeatherTouch steering** maximises confidence, control and comfort, thanks to a small radius, low-effort wheel and intelligent digital processing.
- **Multi-function colour display** display provides a clear, bright screen – even in direct sunlight – and includes speedometer, battery discharge meter, performance mode and other truck data.
- **Simple pushbuttons** make accessing the truck's menu or modes very easy – even if an operator is wearing gloves.
- **Ergonomic levers** provide a familiar feel and smoothly variable speed control.
- **ErgoCentric fingertip control unit option** delivers effortless, confident and precise hydraulic operation within a fatigue-minimising armrest.
- **Low-noise design** ensures the sound level at the operator's ear is exceptionally quiet – less than 67 dB(A).
- **VersaCab cabin range options** includes our unique, award-winning 'Hi-Viz' clear composite front roof, front and back glass windows (both with washers/wipers) and steel doors – as well as a CE-certified removable PVC door option for occasional use.

FB13PNT
FB15PNT
FB16CPNT
FB16PNT
FB18CPNT
FB18PNT
FB20PNT
FB16CPN
FB16PN
FB18CPN
FB18PN
FB20PN



CESM 1785v2 (03/17)
© 2017 MCFE
Printed in The Netherlands

mitforklift@mcf.nl www.mitforklift.com

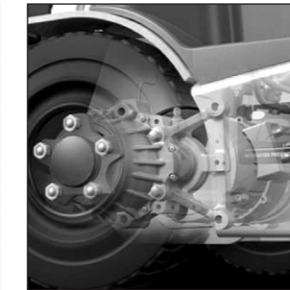
NOTE: Performance specifications may vary depending on standard manufacturing tolerances, vehicle condition, types of tyres, floor or surface conditions, applications or operating environment. Trucks may be shown with non-standard options. Specific performance requirements and locally available configurations should be discussed with your distributor of Mitsubishi forklift trucks. Mitsubishi follows a policy of continual product improvement. For this reason, some materials, options and specifications could change without notice.



Characteristics									
1.1	Manufacturer (abbreviation)		Mitsubishi	Mitsubishi	Mitsubishi	Mitsubishi	Mitsubishi	Mitsubishi	Mitsubishi
1.2	Manufacturer's model designation		FB13PNT	FB15PNT	FB16CPNT	FB16PNT	FB18CPNT	FB18PNT	FB20PNT
1.3	Power source: (battery, diesel, LP gas, petrol)		Electric	Electric	Electric	Electric	Electric	Electric	Electric
1.4	Operator type: pedestrian, (operator)-standing, -seated		Seated	Seated	Seated	Seated	Seated	Seated	Seated
1.5	Load capacity	Q	kg	1300	1500	1600	1600	1800	2000
1.6	Load center distance	c	(mm)	500	500	500	500	500	500
1.8	Load distance, axle to fork face	x	(mm)	373	373	373	373	373	384
1.9	Wheelbase	y	(mm)	1285	1285	1395	1505	1395	1505
Weight									
2.1	Truck weight, without load / including battery (simplex mast, lowest lift height)		kg	2779	2972	3034	3134	3134	3227
2.2	Axle loading with maximum load, front/rear (simplex mast, lowest lift height)		kg	3564/515	3897/575	4053/581	4068/666	4378/556	4383/644
2.3	Axle loading without load, front/rear (simplex mast, lowest lift height)		kg	1381/1398	1378/1594	1451/1583	1540/1594	1452/1683	1539/1688
Wheels, Drive Train									
3.1	Tyres: V=solid, L=pneumatic, SE=solid pneumatic - front/rear			SE / SE	SE / SE	SE / SE	SE / SE	SE / SE	SE / SE
3.2	Tyre dimensions, front			18x7-8	18x7-8	18x7-8	18x7-8	18x7-8	200/50-10
3.3	Tyre dimensions, rear			140/55-9	140/55-9	140/55-9	140/55-9	140/55-9	140/55-9
3.5	Number of wheels, front/rear (x=driven)			2x/2	2x/2	2x/2	2x/2	2x/2	2x/2
3.6	Track width (center of tyres), front	b10	(mm)	920	920	920	920	920	938
3.7	Track width (center of tyres), rear	b11	(mm)	174	174	174	174	174	174
Dimensions									
4.1	Mast tilt, forwards/backwards	α/β	°	5/7.5	5/7.5	5/7.5	5/7.5	5/7.5	5/7.5
4.2	Height with mast lowered (see tables)	h1	(mm)	2125	2125	2125	2125	2125	2125
4.3	Free lift (see tables)	h2	(mm)	80	80	80	80	80	80
4.4	Lift height (see tables)	h3	(mm)	3290	3290	3290	3290	3290	3290
4.5	Overall height with mast raised	h4	(mm)	4342	4342	4342	4342	4342	4342
4.7	Height to top of overhead guard	h6	(mm)	2050	2050	2050	2050	2050	2050
4.8	Seat height	h7	(mm)	974	974	974	974	974	974
4.12	Tow coupling height	h10	(mm)	575	575	575	575	575	575
4.19	Overall length	l1	(mm)	2998	2998	3108	3218	3108	3229
4.20	Length to fork face (includes fork thickness)	l2	(mm)	1848	1848	1958	2068	1958	2079
4.21	Overall width	b1/b2	(mm)	1090	1090	1090	1090	1090	1140
4.22	Fork dimensions (thickness, width, length)	s / e / l	(mm)	35x100x1150	35x100x1150	35x100x1150	35x100x1150	35x100x1150	35x100x1150
4.23	Fork carriage to DIN 15 173 A/B/no			2A	2A	2A	2A	2A	2A
4.24	Fork carriage width	b3	(mm)	920	920	920	920	920	920
4.31	Ground clearance under mast, with load	m1	(mm)	95	95	95	95	95	95
4.32	Ground clearance at center of wheelbase, with load (forks lowered)	m2	(mm)	85	85	85	85	85	85
4.33	Working aisle width with 1000 x1200 mm pallets, crosswise	Ast	(mm)	3173	3173	3283	3393	3283	3403
4.34	Working aisle width with 800 x1200 mm pallets, crosswise	Ast	(mm)	2993	2993	3103	3213	3103	3222
4.35	Turning circle radius	Wa	(mm)	1475	1475	1585	1695	1585	1695
4.36	Minimum distance between centers of rotation	b13	(mm)	0	0	0	0	0	0
Performance									
5.1	Travel speed, with/without load		km/h	16 / 16	16 / 16	16 / 16	16 / 16	16 / 16	16 / 16
5.2	Lifting speed, with/without load		m/s	0.5 / 0.6	0.5 / 0.6	0.5 / 0.6	0.5 / 0.6	0.44 / 0.6	0.4 / 0.6
5.3	Lowering speed, with/without load		m/s	0.52 / 0.5	0.52 / 0.5	0.52 / 0.5	0.52 / 0.5	0.52 / 0.5	0.52 / 0.5
5.5	Rated drawbar pull, with/without load		N	2810 / 3130	2720 / 3090	2680 / 3070	2650 / 3050	2610 / 3050	2580 / 3020
5.6	Maximum drawbar pull, with/without load (5 min short duty)		N	11390 / 11710	11290 / 11660	12020 / 12410	12160 / 12550	11950 / 12390	12090 / 12530
5.7	Gradeability, with/without load		%	11 / 18	10 / 16	11 / 16	9 / 15	9 / 15	8 / 14
5.8	Maximum gradeability, with/without load		%	28 / 35	26 / 35	27 / 35	26 / 35	25 / 35	23 / 35
5.9	Acceleration time (10 metres) with/without load		s	4.1 / 3.6	4.2 / 3.7	4.3 / 3.7	4.3 / 3.8	4.3 / 3.8	4.4 / 3.8
5.10	Service brakes (mechanical/hydraulic/electric/pneumatic)			Mech./hydr.	Mech./hydr.	Mech./hydr.	Mech./hydr.	Mech./hydr.	Mech./hydr.
Electric motors									
6.1	Drive motor capacity (60 min. short duty)		kW	4.5x2	4.5x2	4.5x2	4.5x2	4.5x2	4.5x2
6.2	Lift motor output at 15% duty factor		kW	11.5	11.5	11.5	11.5	11.5	11.5
6.3	Battery to DIN 43 531/35/36 A/B/C/no			DIN 43531 A	DIN 43531 A	DIN 43531 A	DIN 43531 A	DIN 43531 A	DIN 43531 A
6.4	Battery voltage/capacity at 5-hour discharge		V/Ah	48V / 500Ah	48V / 500Ah	48V / 625Ah	48V / 750Ah	48V / 625Ah	48V / 750Ah
6.5	Battery weight		kg	715	715	855	1025	855	1025
6.6	Energy consumption according to VDI 60 cycle		kWh/h	-	-	-	-	-	-
Miscellaneous									
8.1	Type of drive control			AC	AC	AC	AC	AC	AC
8.2	Maximum operating pressure for attachments		bar	181	181	181	181	181	181
8.3	Oil flow for attachments		l/min	-	-	-	-	-	-
8.4	Noise level, value at operator's ear (EN 12053)		dB(A)	66	66	66	66	66	66
8.5	Towing coupling design / DIN type, ref.			15170 / H	15170 / H	15170/H	15170/H	15170 / H	15170 / H

Continuing improvement may lead to changes in these specifications.

Characteristics			Mitsubishi	Mitsubishi	Mitsubishi	Mitsubishi	Mitsubishi
1.1	Manufacturer (abbreviation)		Mitsubishi	Mitsubishi	Mitsubishi	Mitsubishi	Mitsubishi
1.2	Manufacturer's model designation		FB16CPN	FB16PN	FB18CPN	FB18PN	FB20PN
1.3	Power source: (battery, diesel, LP gas, petrol)		Electric	Electric	Electric	Electric	Electric
1.4	Operator type: pedestrian, (operator)-standing, -seated		Seated	Seated	Seated	Seated	Seated
1.5	Load capacity	Q kg	1600	1600	1800	1800	2000
1.6	Load center distance	c (mm)	500	500	500	500	500
1.8	Load distance, axle to fork face	x (mm)	373	373	373	373	384
1.9	Wheelbase	y (mm)	1446	1556	1446	1556	1556
Weight							
2.1	Truck weight, without load / including battery (simplex mast, lowest lift height)	kg	3044	3095	3099	3161	3325
2.2	Axle loading with maximum load, front/rear (simplex mast, lowest lift height)	kg	3999/645	4039/656	4315/584	4343/618	4693/631
2.3	Axle loading without load, front/rear (simplex mast, lowest lift height)	kg	1433/1611	1541/1554	1428/1671	1533/1628	1557/1768
Wheels, Drive Train							
3.1	Tyres: V=solid, L=pneumatic, SE=solid pneumatic - front/rear		SE / SE	SE / SE	SE / SE	SE / SE	SE / SE
3.2	Tyre dimensions, front		18x7-8	18x7-8	18x7-8	18x7-8	200/50-10
3.3	Tyre dimensions, rear		16x6-8	16x6-8	16x6-8	16x6-8	16x6-8
3.5	Number of wheels, front/rear (x=driven)		2x/2	2x/2	2x/2	2x/2	2x/2
3.6	Track width (center of tyres), front	b10 (mm)	920	920	920	920	938
3.7	Track width (center of tyres), rear	b11 (mm)	898	898	898	898	898
Dimensions							
4.1	Mast tilt, forwards/backwards	α/β °	5/7.5	5/7.5	5/7.5	5/7.5	5/7.5
4.2	Height with mast lowered (see tables)	h1 (mm)	2125	2125	2125	2125	2125
4.3	Free lift (see tables)	h2 (mm)	80	80	80	80	80
4.4	Lift height (see tables)	h3 (mm)	3290	3290	3290	3290	3290
4.5	Overall height with mast raised	h4 (mm)	4342	4342	4342	4342	4342
4.7	Height to top of overhead guard	h6 (mm)	2050	2050	2050	2050	2050
4.8	Seat height	h7 (mm)	974	974	974	974	974
4.12	Tow coupling height	h10 (mm)	575	575	575	575	575
4.19	Overall length	l1 (mm)	3302	3412	3302	3412	3423
4.20	Length to fork face (includes fork thickness)	l2 (mm)	2152	2262	2152	2262	2273
4.21	Overall width	b1/b2 (mm)	1090	1090	1090	1090	1140
4.22	Fork dimensions (thickness, width, length)	s / e / l (mm)	35x100x1150	35x100x1150	35x100x1150	35x100x1150	35x100x1150
4.23	Fork carriage to DIN 15 173 A/B/no	2A	2A	2A	2A	2A	2A
4.24	Fork carriage width	b3 (mm)	920	920	920	920	920
4.31	Ground clearance under mast, with load	m1 (mm)	95	95	95	95	95
4.32	Ground clearance at center of wheelbase, with load (forks lowered)	m2 (mm)	85	85	85	85	85
4.33	Working aisle width with 1000 x1200 mm pallets, crosswise	Ast (mm)	3473	3588	3473	3588	3599
4.34	Working aisle width with 800 x1200 mm pallets, crosswise	Ast (mm)	3273	3388	3273	3388	3399
4.35	Turning circle radius	Wa (mm)	1900	2015	1900	2015	2015
4.36	Minimum distance between centers of rotation	b13 (mm)	481	544	481	544	544
Performance							
5.1	Travel speed, with/without load	km/h	17 / 17	17 / 17	17 / 17	17 / 17	17 / 17
5.2	Lifting speed, with/without load	m/s	0.5 / 0.6	0.5 / 0.6	0.44 / 0.6	0.44 / 0.6	0.4 / 0.6
5.3	Lowering speed, with/without load	m/s	0.52 / 0.5	0.52 / 0.5	0.52 / 0.5	0.52 / 0.5	0.52 / 0.5
5.5	Rated drawbar pull, with/without load	N	2680 / 3070	2660 / 3060	2610 / 3060	2600 / 3040	2510 / 3000
5.6	Maximum drawbar pull, with/without load (5 min short duty)	N	12020 / 12410	12170 / 12560	11950 / 12400	12110/12550	1202 /12510
5.7	Gradeability, with/without load	%	10 / 16	9 / 16	9 / 16	9/15	8 / 14
5.8	Maximum gradeability, with/without load	%	27 / 35	27 / 35	25 / 35	25/35	23 / 35
5.9	Acceleration time (10 metres) with/without load	s	4.3 / 3.7	4.3 / 3.7	4.3 / 3.7	4.4 / 3.8	4.4 / 3.8
5.10	Service brakes (mechanical/hydraulic/electric/pneumatic)		Mech./hydr.	Mech./hydr.	Mech./hydr.	Mech./hydr.	Mech./hydr.
Electric motors							
6.1	Drive motor capacity (60 min. short duty)	kW	4.5x2	4.5x2	4.5x2	4.5x2	4.5x2
6.2	Lift motor output at 15% duty factor	kW	11.5	11.5	11.5	11.5	11.5
6.3	Battery to DIN 43 531/35/36 A/B/C/no		DIN 43531 A	DIN 43531 A	DIN 43531 A	DIN 43531 A	DIN 43531 A
6.4	Battery voltage/capacity at 5-hour discharge	V/Ah	48V / 625Ah	48V / 750Ah	48V / 625Ah	48V / 750Ah	48V / 750Ah
6.5	Battery weight	kg	855	1025	855	1025	1025
6.6	Energy consumption according to VDI 60 cycle	kWh/h	-	-	-	-	-
Miscellaneous							
8.1	Type of drive control		AC	AC	AC	AC	AC
8.2	Maximum operating pressure for attachments	bar	181	181	181	181	181
8.3	Oil flow for attachments	l/min	-	-	-	-	-
8.4	Noise level, value at operator's ear (EN 12053)	dB(A)	67	67	67	67	67
8.5	Towing coupling design / DIN type, ref.		15170 / H	15170 / H	15170 / H	15170 / H	15170 / H



Wet disc brakes



Easy on/off access



Lateral battery exchange



Large floor space



Multi-function display



Ergonomic cab layout



Choice of seats



Choice of cabins

EDIA EM
THE ELECTRIC DIAMOND

The family name EDIA appears proudly on our award-winning range of electric forklift trucks.

The reputation that Mitsubishi Forklift Trucks enjoys for endurance and reliability has likened them to the quality and enduring value of a diamond.

Continuing improvement may lead to changes in these specifications.

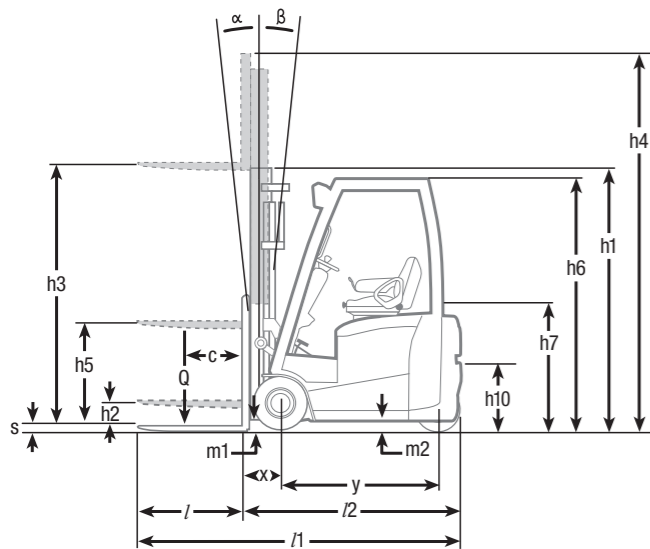
Electric Counterbalance

3 Wheel Pneumatic Tyres • 48 Volt AC Power • **1.3 – 2.0 tonnes**

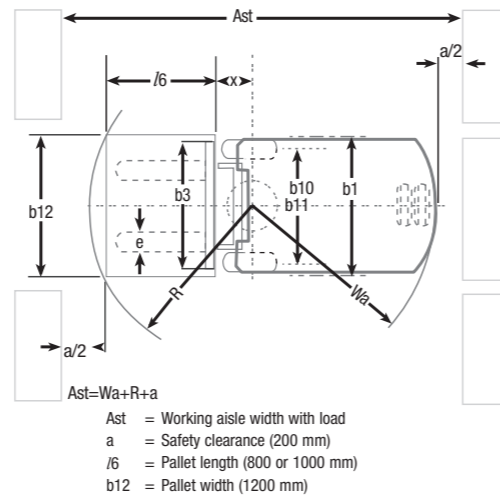
Mast Performance and Capacity

Mast Type	FB13PNT - FB20PNT				FB13PNT	FB15PNT	FB16CPNT	FB18CPNT	FB16PNT	FB18PNT	FB20PNT
	h3 mm	h1 mm	h4 mm	h2/h5 mm	Q @ c = 500mm kg	Q @ c = 500mm kg	Q @ c = 500mm kg	Q @ c = 500mm kg	Q @ c = 500mm kg	Q @ c = 500mm kg	Q @ c = 500mm kg
Simplex	2000	1480*	3045	80	1300	1500	1600	1800	1600	1800	2000
	2560	1760*	3605	80	1300	1500	1600	1800	1600	1800	2000
	2760	1860*	3805	80	1300	1500	1600	1800	1600	1800	2000
	3000	1980*	4045	80	1300	1500	1600	1800	1600	1800	2000
	3290	2125	4335	80	1300	1500	1600	1800	1600	1800	2000
	3530	2245	4575	80	1300	1500	1600	1800	1600	1800	2000
	3720	2385	4765	80	1300	1500	1600	1800	1600	1800	2000
	4090	2570	5135	80	1300	1500	1600	1750	1600	1800	2000
	4480	2775	5525	80	1275	1475	1600	1700	1600	1800	2000
	5000	3035	6045	80	1200	1400	1525	1625	1600	1750	1925
	5500	3285	6545	80	1125	1325	1425	1550	1500	1675	1850
	6000	3535	7045	80	1050	1250	1300	1425	1400	1550	1650
	Duplex	2800	1880*	3845	835	1300	1500	1600	1800	1600	1800
3000		1980*	4045	935	1300	1500	1600	1800	1600	1800	2000
3295		2125	4340	1080	1300	1500	1600	1800	1600	1800	2000
3515		2245	4560	1200	1300	1500	1600	1800	1600	1800	2000
3700		2385	4745	1340	1300	1500	1600	1800	1600	1800	2000
4030		2570	5075	1525	1300	1500	1600	1750	1600	1800	2000
3710		1780*	4755	735	1300	1500	1600	1800	1600	1800	2000
Triplex	4010	1880*	5055	835	1300	1500	1600	1750	1600	1800	2000
	4310	1980*	5355	935	1275	1475	1600	1725	1600	1800	2000
	4750	2125	5795	1080	1225	1425	1550	1650	1600	1800	2000
	5090	2245	6135	1200	1175	1375	1500	1600	1775	1900	2000
	5490	2385	6535	1340	1125	1325	1450	1550	1675	1825	2000
	5990	2570	7035	1525	1075	1275	1375	1375	1450	1500	1650
	6490	2830	7535	1785	950	1050	1050	1050	1175	1175	1350
	7000	3035	8045	1990	725	725	725	725	850	850	1100

(Consult your distributor for the maximum back tilt allowed to obtain the capacities specified)
* lower than overhead guard



- h1 = Height with mast lowered
- h2 = Standard free lift
- h3 = Lift height
- h4 = Height with mast raised
- h5 = Full free lift
- Q = Lifting capacity, rated load
- c = Load centre (distance)



- Ast = Working aisle width with load
- a = Safety clearance (200 mm)
- l/6 = Pallet length (800 or 1000 mm)
- b12 = Pallet width (1200 mm)

Integrated Presence System 2 (IPS²)



Hydraulic and travel interlock systems prevent all movement if the driver is not seated. Automatic warnings remind the driver to fasten the seatbelt and apply the parking brake. An electronic parking brake automatically activates when the driver leaves the seat.

The term 'Integrated Presence System' (IPS) is intended as a trading style, only to describe a number of design features on the Mitsubishi trucks to which IPS is applied. It does not imply that the truck can be driven without appropriate operator training and without due care and attention. The manufacturer (MCFE, Almere, the Netherlands) cannot accept any responsibility for any accidents or damage caused by incorrect or dangerous use of its equipment.

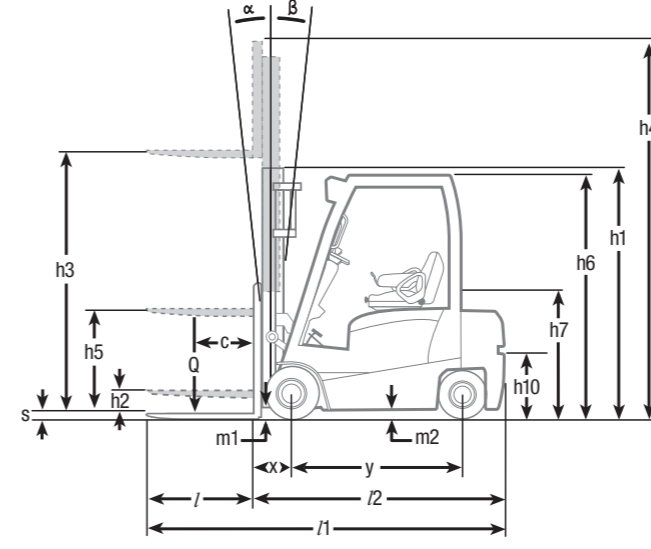
Electric Counterbalance

4 Wheel Pneumatic Tyres • 48 Volt AC Power • **1.6 – 2.0 tonnes**

Mast Performance and Capacity

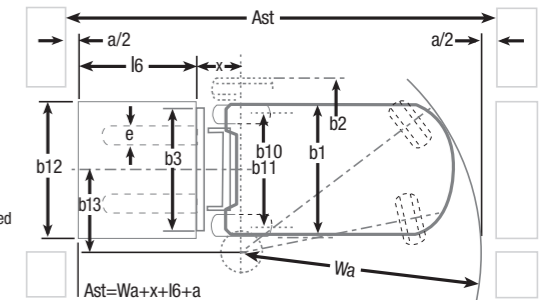
Mast Type	FB16CPN-FB20PN				FB16CPN	FB18CPN	FB16PN	FB18PN	FB20PN
	h3 mm	h1 mm	h4 mm	h2/h5 mm	Q @ c = 500mm kg	Q @ c = 500mm kg	Q @ c = 500mm kg	Q @ c = 500mm kg	Q @ c = 500mm kg
Simplex	2000	1480*	3045	80	1600	1800	1600	1800	2000
	2560	1760*	3605	80	1600	1800	1600	1800	2000
	2760	1860*	3805	80	1600	1800	1600	1800	2000
	3000	1980*	4045	80	1600	1800	1600	1800	2000
	3290	2125	4335	80	1600	1800	1600	1800	2000
	3530	2245	4575	80	1600	1800	1600	1800	2000
	3720	2385	4765	80	1600	1800	1600	1800	2000
	4090	2570	5135	80	1600	1800	1600	1800	2000
	4480	2775	5525	80	1600	1775	1600	1800	2000
	5000	3035	6045	80	1600	1700	1600	1775	1925
	5500	3285	6545	80	1475	1475	1575	1575	1850
	6000	3535	7045	80	1075	1075	1175	1175	1750
	Duplex	2800	1880*	3845	835	1600	1800	1600	1800
3000		1980*	4045	935	1600	1800	1600	1800	2000
3295		2125	4340	1080	1600	1800	1600	1800	2000
3515		2245	4560	1200	1600	1800	1600	1800	2000
3700		2385	4745	1340	1600	1800	1600	1800	2000
4030		2570	5075	1525	1600	1800	1600	1800	2000
3710		1780*	4755	735	1600	1800	1600	1800	2000
Triplex	4010	1880*	5055	835	1600	1800	1600	1800	2000
	4310	1980*	5355	935	1600	1775	1600	1800	2000
	4750	2125	5795	1080	1600	1725	1600	1800	1950
	5090	2245	6135	1200	1600	1675	1600	1750	1900
	5490	2385	6535	1340	1500	1500	1600	1625	1850
	5990	2570	7035	1525	1100	1100	1200	1200	1775
	6490	2830	7535	1785	800	800	900	900	1325
	7000	3035	8045	1990	575	575	675	675	950

(Consult your distributor for the maximum back tilt allowed to obtain the capacities specified)
* lower than overhead guard



- h1 = Height with mast lowered
- h2 = Standard free lift
- h3 = Lift height
- h4 = Height with mast raised
- h5 = Full free lift
- Q = Lifting capacity, rated load
- c = Load centre (distance)

- Ast = Working aisle width with load
- a = Safety clearance (200 mm)
- l/6 = Pallet length (800 or 1000 mm)
- b12 = Pallet width (1200 mm)



Controlled Cornering System (CCS)



CCS assists drivers by dynamically reducing the maximum speed when cornering. CCS monitors the steering angle and applies a safe speed limit – in a way that feels natural to drivers.

Versatile Performance



IPX4 waterproofing including IP54 specifications for drive and hydraulic motors do more than keep EDIA protected – they keep workplaces clean, too. So EDIA is popular with wet and hygienic applications. EDIA can be fitted with an excellent choice of cabins – allowing for regular work in the cold and rain.